

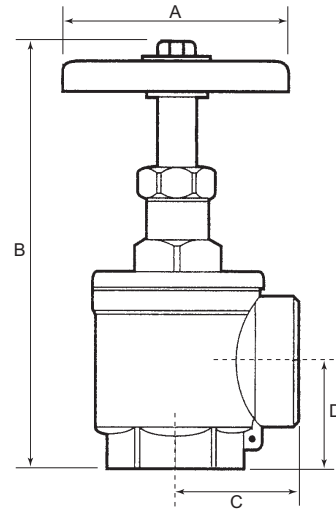


Hose Valve, Angle

A55

Technical Features

- Sizes available (Nominal) : DN40/1 1/2", DN65/2 1/2".
- Pressure data :
Working pressure : 20.6 bar (300 psi).
- Finish : Polished Brass, Rough Chrome and Polished Chrome.
- Connections : Female threaded NPT inlet and outlet.
- Specifications : Used with fire hoserack assembly or fire department outlet connection.



Hose Valve, Angle - A55

Physical Data

Nominal Pipe Size		Dimensions (mm / inch)				Reference			Weight
Metric	inch	A	B	C	D	Polished Brass	Rough Chrome	Polished Chrome	(kg / lbs)
DN40	1 1/2"	110 / 4.0	195 / 7.7	54 / 2.1	48 / 1.9	A55150150	A55150150RC	A55150150PC	4.1 / 9.0
DN65	2 1/2"	130 / 5.1	268 / 10.6	80 / 3.2	67 / 2.6	A55250250	A55250250RC	A55250250PC	4.2 / 9.3

Hose Valve, Angle - A55

Materials List

Item	Description	Material
1	Body	Forged Brass
2	Handwheel	Cast Iron
3	Handwheel Nut	Steel

